



A wish for wellness...
Multi Stage Water Purifiers & Spares
Domestic | Commercial | Industrial

Installation & Operational Manual
Hi-Tech Antioxidant Alkaline RO System

Hi-Tech
REVIVE

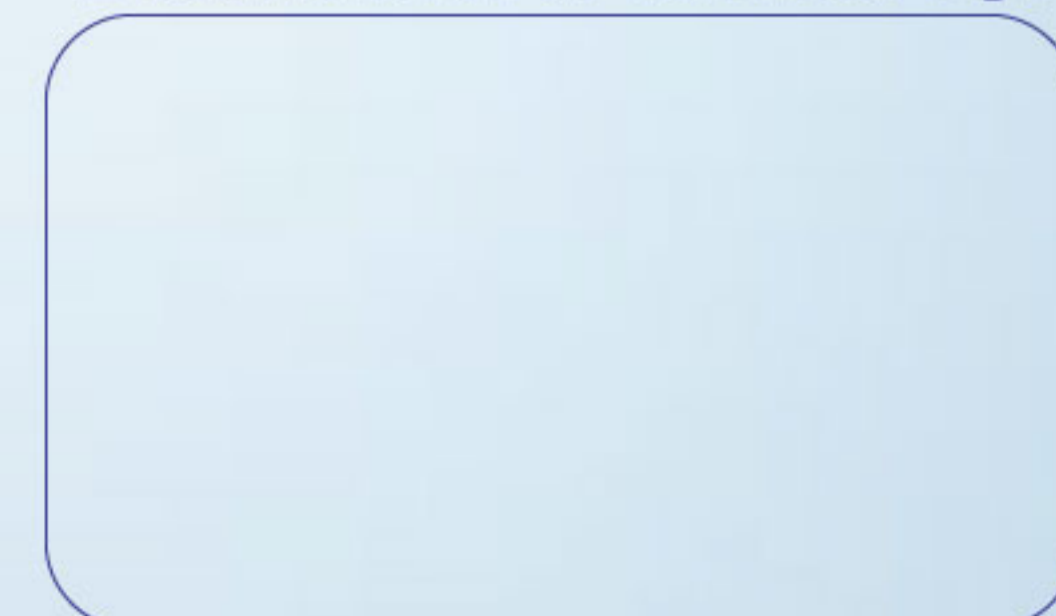
aa⁺
+RO
Antioxidant Alkaline Water



A wish for wellness...
Multi Stage Water Purifiers & Spares
Domestic | Commercial | Industrial



Distribution & Service By:



CONTENTS

CONTENTS	01
SAFETY INFORMATION	02
APPEARANCE DRAWING	04
FEATURES	04
WATER PURIFICATION PROCESS	05
- Stages of Water Flow	05
INSTALLATION	06
HOW TO USE	06
- To Drink Room Water	06
- To Perform the Continuous Extraction	06
FILTER REPLACEMENT	07
- Filter Replacement Indicator.....	07
- Filter Replacement Cycle	07
- Filter Replacement Method	07
PACKING LIST	09
PROBLEM ANALYSIS.....	09
FAQ ANTIOXIDANT ALKALINE WATER	11
- (1) What is Antioxidant Alkaline Water ?	11
- (2) What is Antioxidant Alkaline Water System (Body)? And What is Acidic Body?	11
- (3) How ANTIOXIDANT ALKALINE WATER is important for our life?	11
- (4) What is the reason for a Headache? Is it associated with a lack of Water in body?....	12
- (5) When one should drink water?.....	12
- (6) If we drink lots of other fluids like Tea, Juice, etc still we need to drink more Water?...	12
- (7) How Hi-Tech's New life aa+ / Revive aa+ RO water purifier is differentiated from the Antioxidant Alkaline Water?.....	12
- (8) What are the features of Alkaline Water Filter?	13
- (9) Can I Upgrade my old RO System for Antioxidant Alkaline Water ? How Hi-Tech can help in the Matter ?.....	13
FAQ REVERSE OSMOSIS TECHNOLIGE	14
- (1)What is Reverse Osmosis?	14
- (2)What is maintenance schedule of Hi-tech products?	14
- (3)What contaminants does Reverse Osmosis Remove ?	14
SPECIFICATION	05
OUR NETWORK	16

SAFETY INFORMATION

▲ Danger: If not observed, serious injury or even death may occur as a result.

- Do not use a damaged power plug or a loose electric outlet.
Electric shock or fire may occur as a result.
- Do not pull the power cord or touch the power plug with a wet hand.
Electric shock or fire may occur as a result.
- Do not forcefully bend the power cord or put it under a heavy object to prevent it from being damaged or deformed.
Otherwise electric shock or fire may occur as a result.
- If the power cord is wet, unplug the unit and let it completely dry before subsequent use.
Otherwise, electric shock or fire may occur as a result.
- Unplug the product before repair, inspection, or parts replacement.
Otherwise, electric shock may occur as a result.
- Do not plug into an outlet that is being used by several other appliances. Use an electrical outlet dedicated.
Otherwise, fire may occur as a result.
- When you don't use for a long time, close the main water supply valve and unplug.
Otherwise, electric shock or fire may occur as a result.
- Do not attempt to repair the power cord.
- Do not connect and pull out the power plug repeatedly.
Otherwise, electric shock or fire may occur as a result.
- Remove any dust or water off in the pin and contacts of the power plug.
An electric shock or fire may occur as a result.
- In the case the power cord is damaged, do not replace the cord yourself. Call Hi-Tech Service Center to have it replaced.
Otherwise, electric shock or fire may occur as a result.
- Do not install near a heating device.
Otherwise, fire may occur as a result.
- When there is leakage inside the product, call Service Center after closing the supplying valve and unplugging.
Otherwise, electric shock may occur as a result.
- Do not put the candle, a light for cigarette on the products.
Otherwise, fire may occur as a result.
- If our product produces a strange noise or odd smell, immediately unplug from the electrical outlet and call our Service Center.
Otherwise, electric shock may occur as a result.
- Do not place any containers with water, medicine, food, small metallic objects, or any flammable material on the top of the product.
In the case foreign material gets inside the product, electric shock, fire, product damage may occur as a result.
- Clean after unplugging, and don't clean by spraying the water directly or don't wipe the product using the benzene and thinner.
Otherwise, electric shock or fire may occur as a result.
- Do not move the product by pulling the power cord.
Otherwise, electric shock or fire may occur as a result.

SAFETY INFORMATION

- Do not open, repair, or modify the unit.
Otherwise, electric shock or product damage may occur as a result.

▲ Warning: If not observed, serious physical injury or property damage may occur as a result.

- Do not install the product on a sloped floor.
- Do not press the product by constraint or impact.
Injury to the user or damage to the unit may result.

▲ Caution: If not observed, minor physical injury or property damage may occur as a result.

- Use after closing the water tank cover completely inside of the product.
The buck or the foreign body can be entered.
- To drink the clean water, change the filter according to the filter replacement cycle.
If you use the expired filter, the filter performance is lowered.
- The black particle can be survived on the bottom of the inner water tank after moving the product or replacing the post carbon block filter.
As the powder of the active carbon used in the Post carbon block filter was flowed out for making the purified water taste better, it is harmless to the body.
- When you don't use for a long time, use after draining the saved water completely and emptying the newly purified water once again.
The saved water can be polluted.
- Do not use the purified water for changing the water in the fish ball, aquarium.
- Do not turn by gripping the purified water extraction faucet or do not lift the product using the faucet.
Otherwise, leakage or product damage may occur as a result.

APPEARANCE DRAWING

**Hi-Tech
REVIVE**

aa⁺

+RO
Antioxidant Alkaline Water



FEATURES

Push Tap

If you push the push tap and let up the sliding lever, Push Tap is fixed and the continuous extraction can be performed.

Uniform water pressure keeping function

It supplies the main water with the uniform water pressure from the region with the high water pressure and protects the inside of the product from the high water pressure.

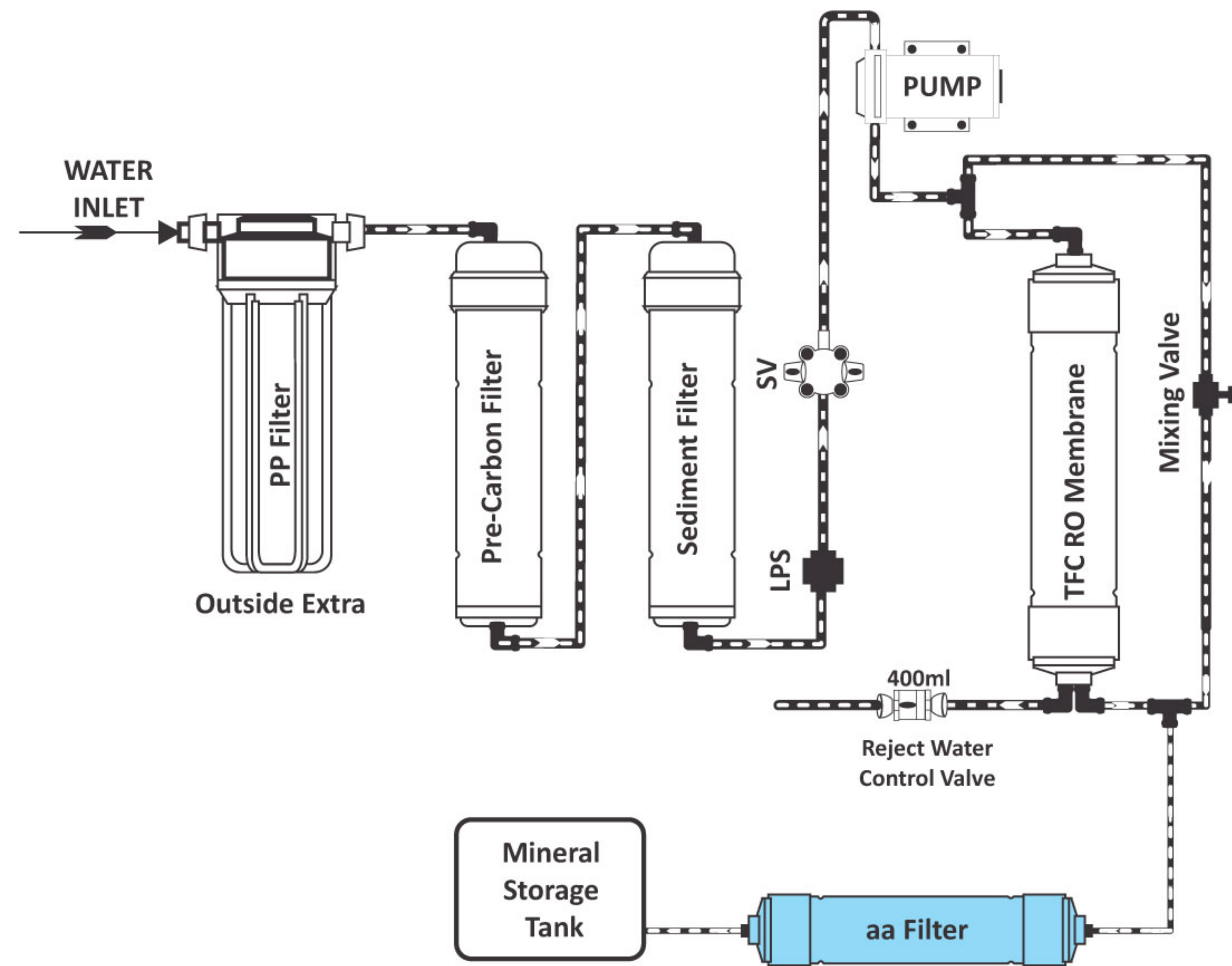
Sealed water tank for the second pollution prevention

To prevent the second pollution due to the penetration of the dust, bug, and other foreign body, improve the sanitary by applying the extra sealed structure to the inner water tank

Antioxidant Alkaline Filter

Antioxidant Alkaline filter increases pH level of water making it alkaline and removes harmful active oxygen preventing diseases like cancer, hypertension, diabetes, etc....

WATER PURIFICATION PROCESS



Stages of Water Flow

Step 1 : PP Filter

PP filter has the functions to remove the floater such as sand iron, rust, copper rust or visible impurities.

Step 2 : Pre-carbon Filter

Pre-carbon Filter which can remove chlorine, organic, compounds, color, odour and floating particles.

Step 3 : Sediment Filter

Sediment filter has the functions to remove the floater such as sand iron, rust, copper rust or visible impurities.

Step 4 : TFC RO Membrane

RO membrane filter has the function to remove water contaminants such as heavy metals, waterborne microorganisms and harmful organic chemicals etc. The water concentrated the harmful material is flowed out through the daily life water hose as the daily life water.

Step 5 : Taste Enhancer

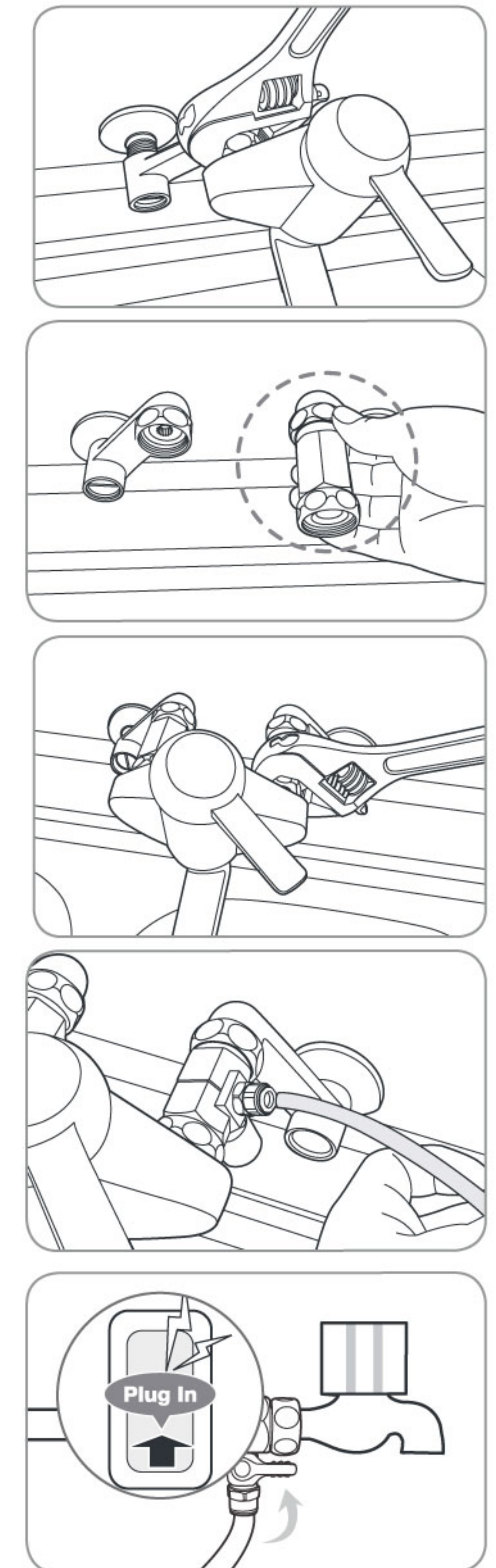
Taste Enhancer which can maintain the TDS level, also improve the taste.

Step 6 : Antioxidant Alkaline Filter

Antioxidant Alkaline filter increases pH level of water making it alkaline and removes harmful active oxygen preventing diseases like cancer, hypertension, diabetes, etc....

INSTALLATION

1. Close main water supply valve to separate the faucet.
2. Wind the Teflon tape on the adaptor and fit it to the pipe.
 - ⚠ Do not turn the water pipe.
3. Connect the faucet with the adaptor.
 - ⚠ Shall install the adaptor with connector on the cold water pipe.
4. Connect 1/4 inch orange tubing with the connector on the adaptor.
 - ⚠ Flush water through each filter at least 5 minutes before Connection.
5. Connect the voltage rating that matches it on the rating plate. Then, open the feed valve to supply water to the filtration system.



HOW TO USE

To Drink Room Water

If you push the push tap lever, you can drink the purified water.



To Perform the Continuous Extraction

If you push the push tap and let up the sliding Tap, the push tap is fixed and the continuous extraction can be performed.



FILTER REPLACEMENT

Filter Replacement Indicator

Filter Replacement Cycle

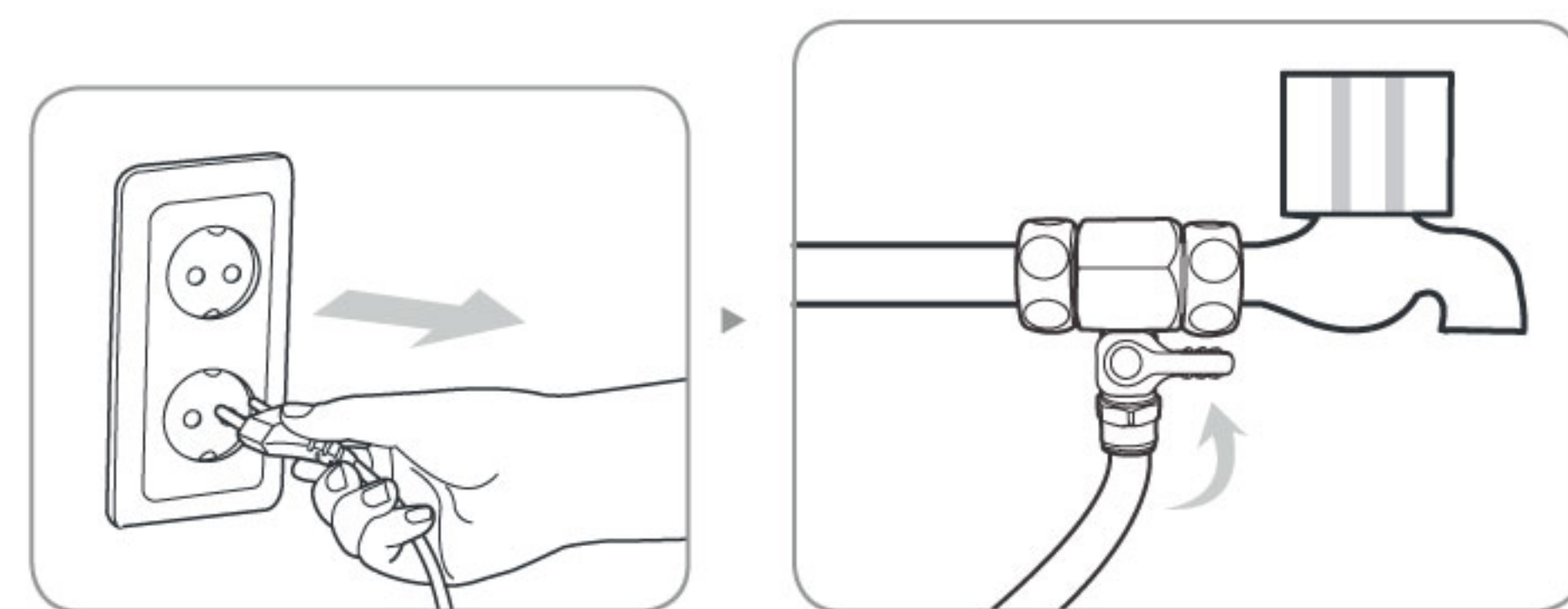
The filter replacement cycle described above is not the filter quality warranty period but the expected cycle (life) that the filter shows its original performance. (Based on the tap water) Therefore, the filter change cycle may be reduced for the area with poor water quality or more applications.

► New Life aa++

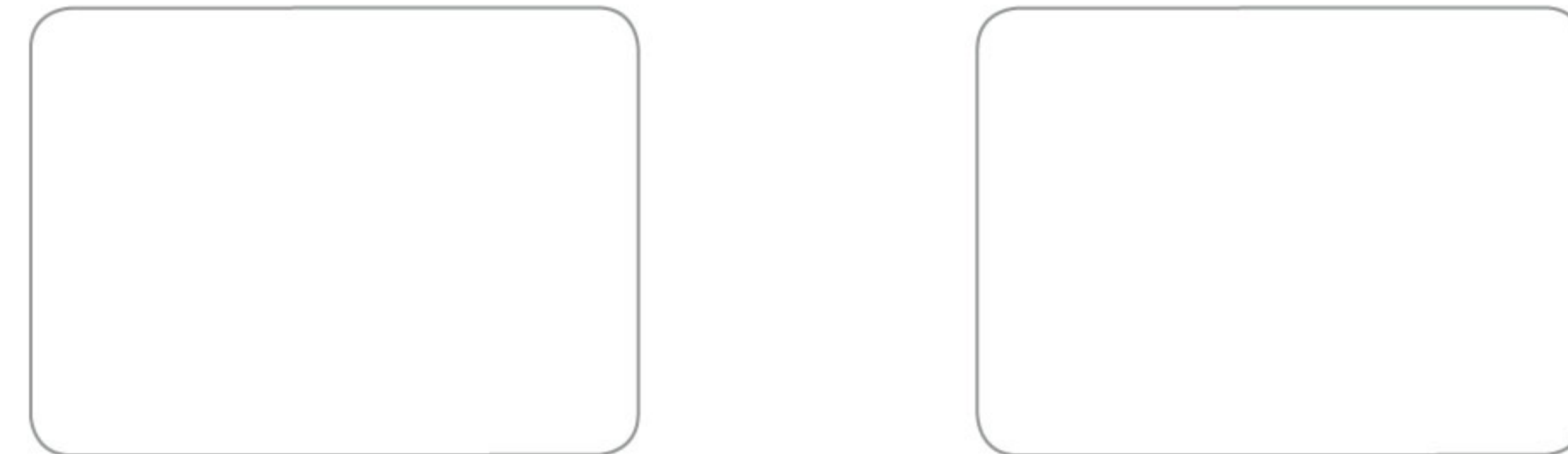
Filter name	Usable Period
PP Filter	12 months
Pre-Carbon Filter	12 months
Sediment Filter	12 months
Membrane filter (RO)	24 months
Antioxidant Alkaline Filter	12 months
Ultra Violet	24 months

Filter Replacement Method

1. After pulling the power cord necessarily, close the main water supply valve and drain the water inside of the water purifier completely (See P.7).



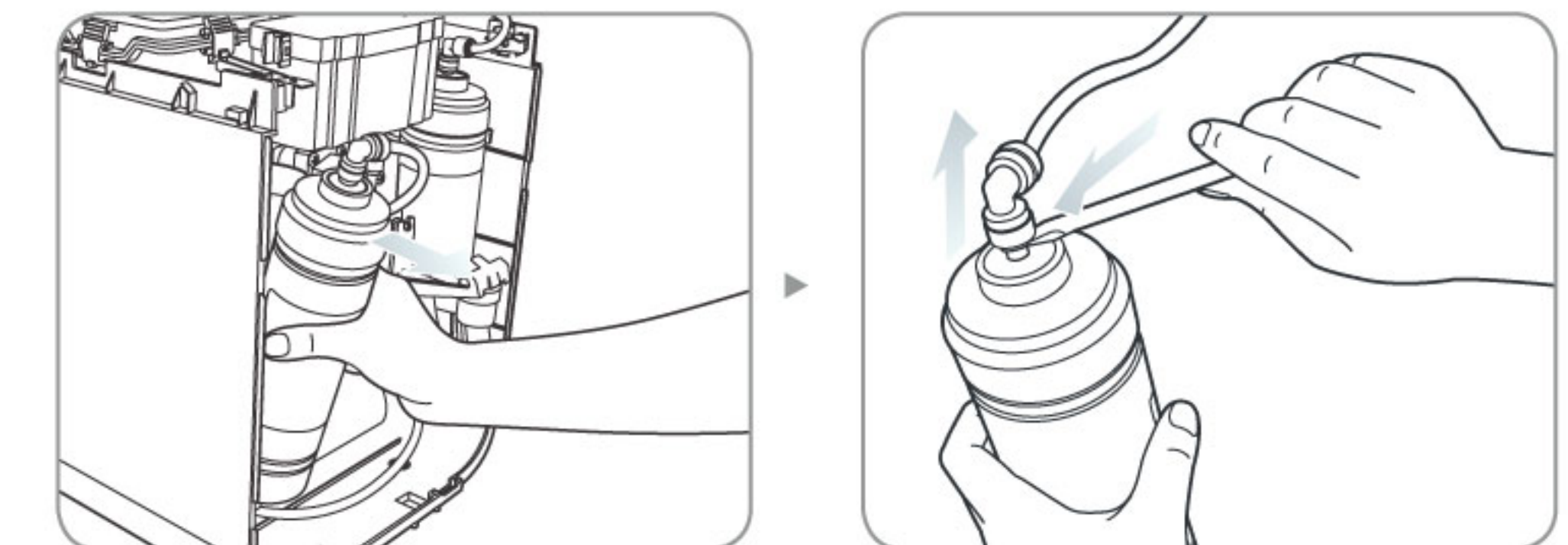
2. Please remove the top cover loosing a screw with a driver.



Tips

- Don't push the push tap with the excessive force.
- Product damage may occur as a result.

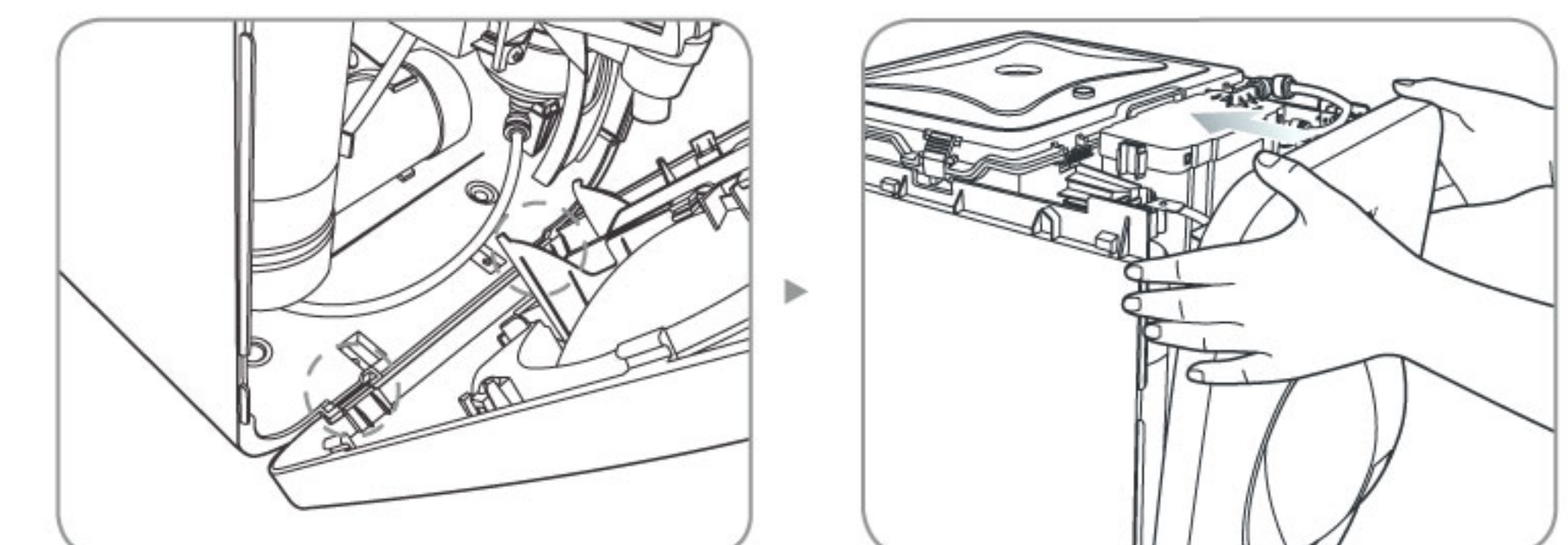
3. Separate the fitting connected to the filter to replace and then replace the filter. (Separate the fitting using an appropriate tool.)



Tips

- By changing the filter and connecting the fitting and the hose precisely, check that there is no leakage and drain the first purified water necessarily.

4. After connecting all the fittings close the top cover.



Tips

- ▲ Use the new filter after cleaning.
 - sediment & pre-carbon filter: Install after cleaning with the main water for about 3 minutes.
 - TFC RO Membrane filter: Install after cleaning with the water passed the pre-carbon and sediment filter for about 3 minutes.
 - aa filter: Install after cleaning with the water passed the TFC RO Membrane filter for about 3 minutes.

PACKING LIST

RO machine	1 set
TFC RO membrane	1 piece
Accessory	Wrench, Intel Cock, Anti-scalent Capsule
Tubing (1/4")	6 m
Cover	1 piece
Manual	1 piece
Housing Set	1 piece

PROBLEM ANALYSIS

Any problems, pls do contact the local seller to obtain professional solutions, the following analysis are for repairer's reference.

Problem	Probable cause	Solution
Pump not working and no production of water (first make sure the adapter plug is ok and the electricity is on)	<ol style="list-style-type: none"> 1.Source water pressure is too low to shut off the low pressure switch. 2.LPS and HPS out of work or loose connection. 3.Power switch problem 4.Pump problem. 	<ol style="list-style-type: none"> 1.Enhance source water pressure. 2.Repair or replace it 3.Repair or replace it 4.Repair or replace it
Leakage from flush ball valve	<ol style="list-style-type: none"> 1.from the crack of interface 2.from wrench location 	<ol style="list-style-type: none"> 1.Replace flush ball valve 2.Install wrench again or replace
Pump is normal but no pure water(Please make sure the restrictor is ok and the temperature of the pump is ok)	<ol style="list-style-type: none"> 1.Pre- filters are blocked 2.RO membrane is blocked 3.Pump has no pressure 4.Flush solenoid valve do not shut off 5.Connectors or pipes are blocked 6.Flow restrictor is blocked 	<ol style="list-style-type: none"> 1.Replace the PP filter 2.Replace the membrane 3.Repair the pump 4.Replace solenoid valve 5.Check whole water route step by step 6.Replace and check up its location.

Problem	Probable cause	Solution
Leakage in pump head	<ol style="list-style-type: none"> 1.sediment & pre-carbon are blocked. 2.The washer of the pump head is ageing or blocked by the dirt inside 3.Flow restrictor is blocked 4.The bolts of the pump head is loose. 	<ol style="list-style-type: none"> 1.Replace the filters and repair the pump 2.Repair pump head and often replace PP to avoid block in pump. 3.Replace the FR 4.Tighten the bolts and check up.
Pump works intermittently during auto flushing.	<ol style="list-style-type: none"> 1.Low source water pressure or PP blocked 2.Bad circuit 	<ol style="list-style-type: none"> 1.Enhance source water pressure or replace PP filter. 2.Check up or repair relative circuit.
Tank is full but water cannot flow out(pls check if tank ball valve is open or blocked)	<ol style="list-style-type: none"> 1.With no enough pressure in the tank 2.Post filter blocked 3.Faucet tap blocked 	<ol style="list-style-type: none"> 1.Enhance pressure to 0.045Mpa ,check air chamber if these is leakage or not, and replace in time. 2.Replace post filter 3.Replace or repair faucet tap.
Drain water keep flowing while RO system stop working	<ol style="list-style-type: none"> 1.Inlet valve cannot shut off fully 2.Circumfluence 	<ol style="list-style-type: none"> 1.Replace valve
Ro system start too frequently, can't stop when tank is full or restart after a moment.	<ol style="list-style-type: none"> 1.HPS problem 2.Check valve's problem 3.Too high pressure in tank 	<ol style="list-style-type: none"> 1.Repair or replace HPS 2.Repace valve 3.Adjust tank pressure and HPS
Some floater existed in pure water	<ol style="list-style-type: none"> 1.The post carbon filter isn't clean enough. 2.Floater from tank 	<ol style="list-style-type: none"> 1.Re-flush the post filter 2.Flush the tank or replace
Much noise from the pump	<ol style="list-style-type: none"> 1.Pump works too long 2.Much noise from the shaft 	<ol style="list-style-type: none"> 1.Shorten the working time 2.Replace the shaft
Leaking from connectors	<ol style="list-style-type: none"> 1.Less Teflon 2.The extension of the pipe into the connector isn't long enough 	<ol style="list-style-type: none"> 1.Wind more Teflon 2.Insert the pipe in effective length

(1) What is Antioxidant Alkaline Water ?

Antioxidants is a molecule capable of slowing or preventing the oxidation of other molecules. They have been reported to prevent oxidative damage by free radical and ROS, and may prevent the occurrence of disease, cancer and ageing.

Antioxidants help in :

- Destroying the free radicals that damage cells.
- Promoting the growth of healthy cells.
- Protecting cells against premature, abnormal ageing.
- Help fight age-related cell degeneration.
- Provide excellent support for the body's immune system

The generation of free radicals may be accidental or deliberate and the major source would be the leakage from electron transport chain.

Free radicals generation is a chain process. The reaction between H_2O_2 , Fe^{3+} and O_2^- produces OH^- radicals and several other radicals.

(2) What is Antioxidant Alkaline Water System (Body)? And What is Acidic Body?

Dr. Otto Warberg received the Nobel prize for discovering the cause of cancer - this being lack of oxygen (or low alkaline pH). Scientists have found that healthy people have systems that are alkaline. An acidic body is a breeding ground for disease but no disease can exist in an alkaline environment. ANTIOXIDANT ALKALINE WATER can restore proper alkaline pH in the body within weeks.

Raising the pH level of your body will assist your immune system to fight off bacteria, viruses, fungi, and degenerative illnesses such as:

Candida	Cancer	Diabetes	Cirrhosis	Pancreatitis
Nephrosis	Colds	Flu	Arthritis	Chronic
Fatigue	Poor Circulation	Leg Cramps	Indigestion	Migraines
Obesity	Osteoporosis	High Blood Pressure		

(3) How ANTIOXIDANT ALKALINE WATER is important for our life?

Your body is 70-80% water. Water adjusts the body's temperature and assists in digestion. It removes toxins from the body, and also makes necessary body fluids. The qualities and properties of the water we drink can determine the quality of our health.

35 YEARS OF EXPERIENCE AND 10 YEARS OF MEDICAL RESEARCH HAVE PROVEN THAT ANTIOXIDANT ALKALINE WATER NOT ONLY HELPS TO PREVENT BUT ALSO TO REVERSE CHRONIC ILLNESS.

(4) What is the reason for a Headache? Is it associated with a lack of Water in body?

Did you know that a headache may just be your body's way of asking for more water? Try a glass next time WITHOUT THE ASPIRIN and watch your headache disappear!

(5) When one should drink water?

There are three times a day when drinking water is most efficient: not with food, but twenty minutes before or twenty minutes after eating. You don't want to dilute the potency of your digestive enzymes by drinking water with your meals.

The best times to drink water are:

- four glasses over a 30-minute period in the morning
 - four more glasses over a 30-minute period in the afternoon
 - another four glasses over a 1-hour period in the early evening.
- That's 12 glasses of water - see how easy it is!!

(6) If we drink lots of other fluids like Tea, Juice, etc still we need to drink more Water?

When you consume water that has added flavors and ingredients, your body must first filter out these additives before it can use the pure water to detoxify and nourish your cells. This means extra work for your liver, kidneys, and intestines. By starting with pure clean alkaline water, you ease the strain on these organs and free them up to work on cleansing and filtering your food - not to mention the highly acidic nature of carbonated drinks !!

Do you know ??? It takes 32 glasses of alkaline water to neutralize the acid from one 12 ounce (approximately 350ml.) of cola!!!

(7) How Hi-Tech's New life aa++ / Revive aa+ RO water purifier is differentiated from the Antioxidant Alkaline Water?

The unique products are of an innovative technology, ANTIOXIDANT ALKALINE WATER is super-hydrating and energizing as a result of electrolysis filtering, which removes bacteria, chlorine, fluoride, other chemicals, sediment, and bad tastes and odors, leaving the vital minerals for easy absorption by our bodies

(8) What are the features of Alkaline Water Filter?

Features of alkaline water filter

1. Improves the Reducing Power by removing harmful active oxygen (=free radical) to cause cancer, diabetic, hypertension and etc.
2. Excellent effect such as Vitamin C
3. Removes acidic waste from body
4. Water and nutrients are absorbed more effectively into the body.
5. Supplies minerals to help the balance of metabolism
6. Makes better water taste.
7. Lower ORP value as similar as inside of our body
8. Increases pH

(9) Can I Upgrade my old RO System for Antioxidant Alkaline Water ? How Hi-Tech can help in the Matter ?

Yes, Of course !! Hi-Tech's Antioxidant Alkaline Water Technology can be adopted for your old RO Systems very easily. You just have to dial our National Toll Free No. or Call center for the matter and with in No-Time You will start drinking the Amazing Water for your good health.

(1)What is Reverse Osmosis?

Reverse Osmosis is the reversal of the natural flow of osmosis. In a water purification system, the goal is not to dilute the salt solution, but to separate the pure water from the salt and other contaminants. When the natural osmotic flow is reversed, water from the salt solution is forced through the membrane of porosity 0.0001 mic. in the opposite direction by application of external pressure-thus the term REVERSE OSMOSIS. Through this process, we are able to produce pure water by screening out the salts and other contaminants.

(2)What is maintenance schedule of Hi-tech products?

The three pre-filter cartridges should be changed every 1 year. The first is a 5 micron sediment cartridge. The second is a Carbon Cartridge. The third is a 1 micron sediment filters. (some system comes with the Extruded carbon filter.) Failure to change the cartridge every 6 months may allow chlorine to destroy the membrane. It is very easy to change the prefilters. Just order the needed filters from us and all system come with the housing wrench to open the filter housings so you can maintain your system yourself and feel confident about your drinking water.

(3)What contaminants does Reverse Osmosis Remove ?

The HI-TECH System contains a quality carbon filter which will remove more than 99% of organic chemicals from the water. These include THMs(chloroform), DBCP, lindane, TCEs(trichloroethylene), PCEs(tetrachloroethylene), carbon tetrachloride chlorine, In addition to these organic chemicals, all the TDS removed by the TFC membrane.

Specification & Installation Condition

Product	Water Purification Device	
Model	Revive aa+	
Purified Method	R.O. + Antioxidant Alkaline	
Filter Size/ Filter Life	PP Filter	11"/6 month
	Pre-Carbon	11"/12 month
	Sediment	11"/12 month
	Membrane	11"/ 24 month (1,900 gal) 80GPD
	aa Filter	11"/ 12 month (7000 ltr)
Power Consumption	with booster pump AC100-240V DC36V(1.8 Lpm)	
Dimensions (Width x Height x Depth)	350 x 293 x 600 mm	
Net Weight	10 kg (27.5lb)	
Production Capacity	10 Ltr/hr (2.6 gal/hr)	
Tank Capacity	8 Ltr	
Water Temperature	5-45°C	
MAX TDS	<2000ppm	
Removal Rate	>90-96%	
Flush Mode	Automation	
Inlet Water Pressure	0.15 ~ 0.35 Mpa	
Low Pressure Setting	0.05 Mpa	
Auto Flush Time	18s	
Main Configuration	6 Stage + Pump + Auto Flushing	

